

- whenever a child is in the product.
- Never use plastic shipping bags as mattress covers. Do not use plastic film as mattress cover unless sold and intended for that purpose. They can cause suffocation.
- Never use a water mattress with this product.

! WARNING
Failure to follow these warnings and the instructions could result in serious injury or death

AVOID STRANGULATION HAZARDS

- Strings can cause strangulation! Never place items with a string around a child's neck such as hood strings or pacifier cords. Never suspend strings over product or attach strings to toys.
- Discontinue use of the product when child is able to climb out or reaches the height of 35in.(890mm)
- When child is able to pull to standing position, remove bumper pads, large toys, and other objects that could serve as steps for climbing out.
- When child is able to pull to standing position, set mattress/base to lowest adjustment position and remove bumper pads, large toys, and other objects that could serve as steps for climbing out.
- Never suspend stings into the play yard.
- Never place the play yard near a window where cords from blinds or drapes can strangle a child.
- Child in play yard must be under supervision at all times.

! WARNING
Failure to follow these warnings and the instructions could result in serious injury or death

AVOID OTHER HAZARDS

- Keep play yard away from stoves, heaters, fireplaces, and other hazards which can cause injury to your child.
- To reduce the risk of SIDS(Sudden Infant Death Syndrome), pediatricians recommend healthy infants be placed on their back to sleep unless otherwise advised by a physician.
- DO NOT place more than one child in play yard.
- DO NOT use in motor vehicle-child can be seriously injured during an accident or sudden stop.
- DO NOT move or fold bassinet with child in it-child could be injured.
- Always provide the supervision necessary for the continued safety of your child. When used for playing, never leave child unattended.

! WARNING

Before use remove and dispose of any plastic bags and keep them out of reach of children to avoid the danger of suffocation. Failure to follow these warnings and instructions could secured before use. This product requires adult assembly. Keep fingers clear of top corners during setup.

! WARNING

See the bottom of playpen for warnings.

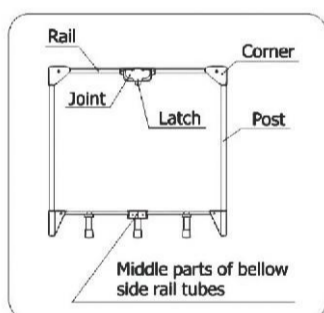
! CAUTION!

When a child height reaches 35 inches, the child should be placed in a youth bed.

4

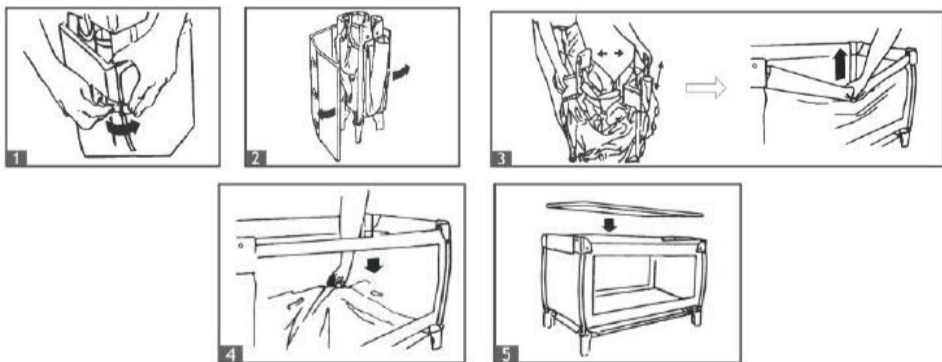
1

● Parts List



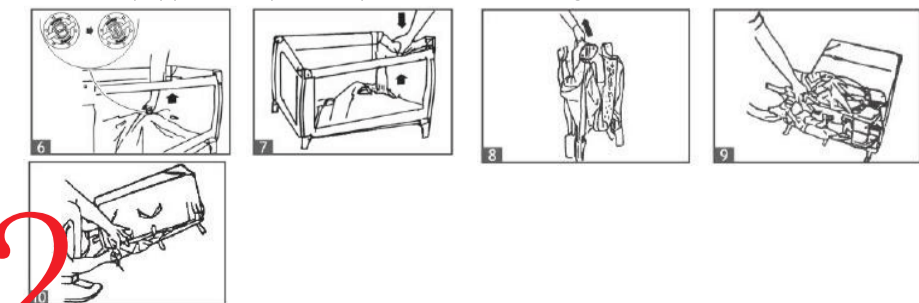
● Operation And Installation Instruction Of Play yard

1. Place the device vertically and open the three nylon-sticking belts. See figure 1.
2. Unfold the folded mattress pad used for the base plate as shown in the figure. See figure 2.
3. Draw outward the four corner of posts separately in four directions and lift the middle joint up to completely expand it, until top rails were exact expanded and locked all the two sides of the joints which located at middle positions of the top rails. when you do this process you could hear the clear clicks sound from joints. See figure 3.
4. Completely flatten the middle parts of the bottom. Completely flatten the all middle parts of the bellow side rails tubes. See figure 4.
5. Place mattress pad at the bottom of play yard. Soft side facing up. This play yard is intended for children ages one or two.(with mother's care). See figure 5.



● To Fold The Play Yard

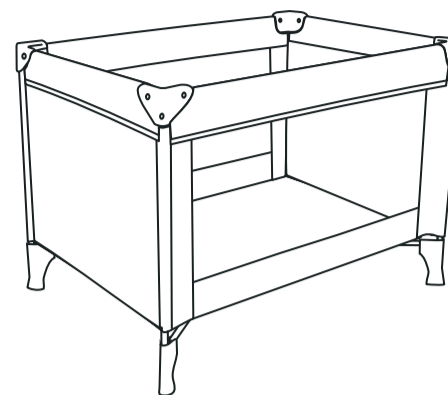
6. Take out the mattress pad, then turn right the unlock device, and pull it up. See figure 6.
7. Hold the joint of upside. Lift it up a little, then force the latch inward and press the joint to downward. See figure 7.
8. Do the same steps for all other 3 top rail joint. And draw in the four corners and posts uniformly. See figure 8.
9. Pack the play yard with mattress pad. See figure 9.
10. Buckle the play yard with 3 pieces of nylon adhesive belts. See figure 10.



2

3

Baby Play Yard Instruction Manual



Read all instructions BEFORE assembly and USE of product. KEEP INSTRUCTIONS FOR FUTURE USE

MODEL NO.: #438

Dear Customer,

Thank you for purchasing the play yard. We are pleased that you have chosen this product and hope you will be completely satisfied with the service you receive from this item. We advise you to read the instructions BEFORE assembly and USE of the product then KEEP IT IN A SAFE PLACE FOR FUTURE USE. Failure to read instructions carefully can jeopardize the safety of your child. Careful attention to the care instructions of the play yard will enable long and trouble free use of your new purchase. In the event your product requires repair, please contact us. Our Consumer Service department will provide you the proper steps to ensure the fastest remedy to you problem.

Sincerely,
Dream On Me Inc.
1532 S Washington Ave
Piscataway TWP NJ 08854
Customer Care: +1 (732)366-1788

Maintenance and Cleaning

- Periodically clean the play yard components with a soft damp cloth.
- Wipe clean with a sponge and neutral equipment.
- Always dry the metal parts on the play yard to avoid the formation of rust.
- Periodically check the play yard for signs of damage or worn parts.
- Do not use if any part is damaged.
- Do not use scoring powers or abrasive cleaners.

! WARNING
Failure to follow these warnings and the instructions could result in serious injury or death

- PLEASE READ THESE INSTRUCTIONS CAREFULLY TO ENSURE THE SAFETY OF YOUR CHILD.
- ALWAYS PROVIDE THE SUPERVISION NECESSARY FOR THE CONTINUED SAFETY OF YOUR CHILD.WHEN USED FOR PLAYING,NEVER LEAVE CHILD UNATTENDED.
- Play yard MUST be fully assembled with all top rails and center floor handle locked into position prior to use or attaching bassinet. Make sure latches are secure.
- DO NOT place child in play yard unless all top rails and center floor handle are securely locked into position and floor pad is in proper place. Infant may roll into space between pad and loose mesh sides causing suffocation.
- Stop using this product when your child reaches 35 inches(89cm)in height, weight more than 30 lbs(13kg) or is able to climb out.

WARNING--NEVER LEAVE IN PRODUCT WITH SIDES DOWN.

- Infant may roll into sides between pad and loose mesh side causing suffocation.

! WARNING
Failure to follow these warnings and the instructions could result in serious injury or death

Never use this product if there are any loose or missing fasteners, loose joints, broken parts, or torn mesh/fabric. Check before assembly and periodically, during use. Contact Dream on me Inc. for replacement parts.

- Never substitute parts
- Contact Dream on me Inc. for replacement parts and instructional literature if needed.
- Although Dream on me Inc. DOES NOT RECOMMEND refinishing this product, if you choose to refinish, use a non-toxic finish specified for children products.
- Child can become entrapped and die when improvised netting or covers are placed on top of a play yard. Never add such items to confine child in play yard.
- The products, including side rails, must be fully erected prior to use.

! WARNING
Failure to follow these warnings and the instructions could result in serious injury or death

AVOID SUFFOCATION HAZARDS

To prevent suffocation from entrapment, use only floor pad provided by manufacturer. NEVER use additional mattress or padding.

INFANT CAN SUFFOCATE :

- In gaps between a mattress too small or too thick and product sides
- On soft bedding
- NEVER add a mattress, pillow, comforter, or padding
- If a sheet is used, only use a fitted crib sheet that tucks at least 5cm under the bassinet or floor pad on all sides to avoid entanglement.
- Never leave child in product with any side lowered. Be sure all sides are raised and locked into position



1532, S. Washington Avenue
Piscataway, NJ 08854
E-mail: info@dreamonme.com
Customer Care: +1 (732) 366-1788

www.dreamonme.com

Follow us on



[@dreamonmeinc](https://www.facebook.com/dreamonmeinc)



[@dreamonmeinc](https://www.instagram.com/dreamonmeinc)

to get your nursery featured on our social media.

Enter our monthly giveaway!
Simply scan the QRcode to register.



DOM
FAMILY



slumber baby

sweetpea baby

évolur
evolving with your baby